

VT 3/4 C

VANTAGE Tap Range

Vantage Bath Taps Chrome



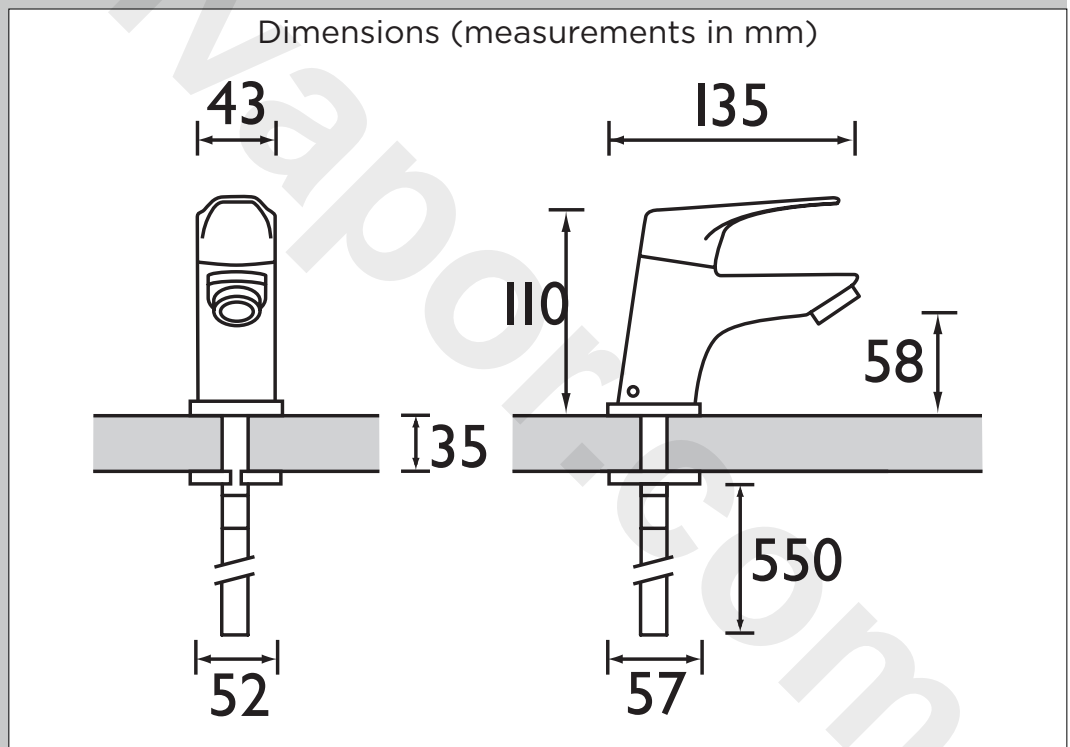
Specification	
Style:	Contemporary
Product Type:	Bathroom Taps
Finish/Colour:	Chrome
Main Construction Material:	Brass
Mount Type:	Deck
Handle Type:	Paddle
Connection Inlet:	M16 x 500mm Flexible Tails
Number of Tap Holes Required:	2
Valve/Cartridge Type:	3/4" Ceramic Disc Valves
Plumbing System Suitability	All
Working Pressure Range:	Min 0.2 Bar, Max 5.0 Bar
Maximum Hot Water Temperature: °c	65
Maximum Dynamic Pressure: (bar)	5
Maximum Static Pressure: (bar)	10
Flow Type:	Single Flow
Flow Rate: (l/min @ 3 bar)	42.4
Connection Outlet:	
Isolation Included:	Yes

Features:

- Unique patented technology
- Ceramic disc valves for added durability and ease of use
- Supplied with flexible connecting pipes incorporating isolation valves
- Supplied with easy to use metal lever handles

Product Certifications:

For more products, visit our website:



Flow Rates (l/min)						
System Pressure (bar)	0.2	0.5	1	2	3	5
VT 3/4 C (Hot)	10.9	17.2	24.4	34.8	42.4	54.5
VT 3/4 C (Cold)	10.5	16.1	22.7	32.1	39.3	50.8

TECHNICAL
DATA
SHEET



BRISTAN
TAPS & SHOWERS

D4